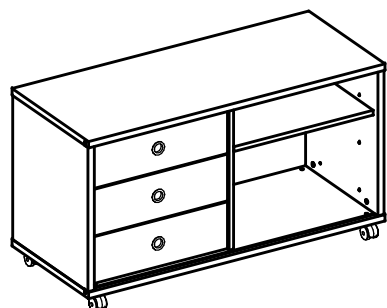


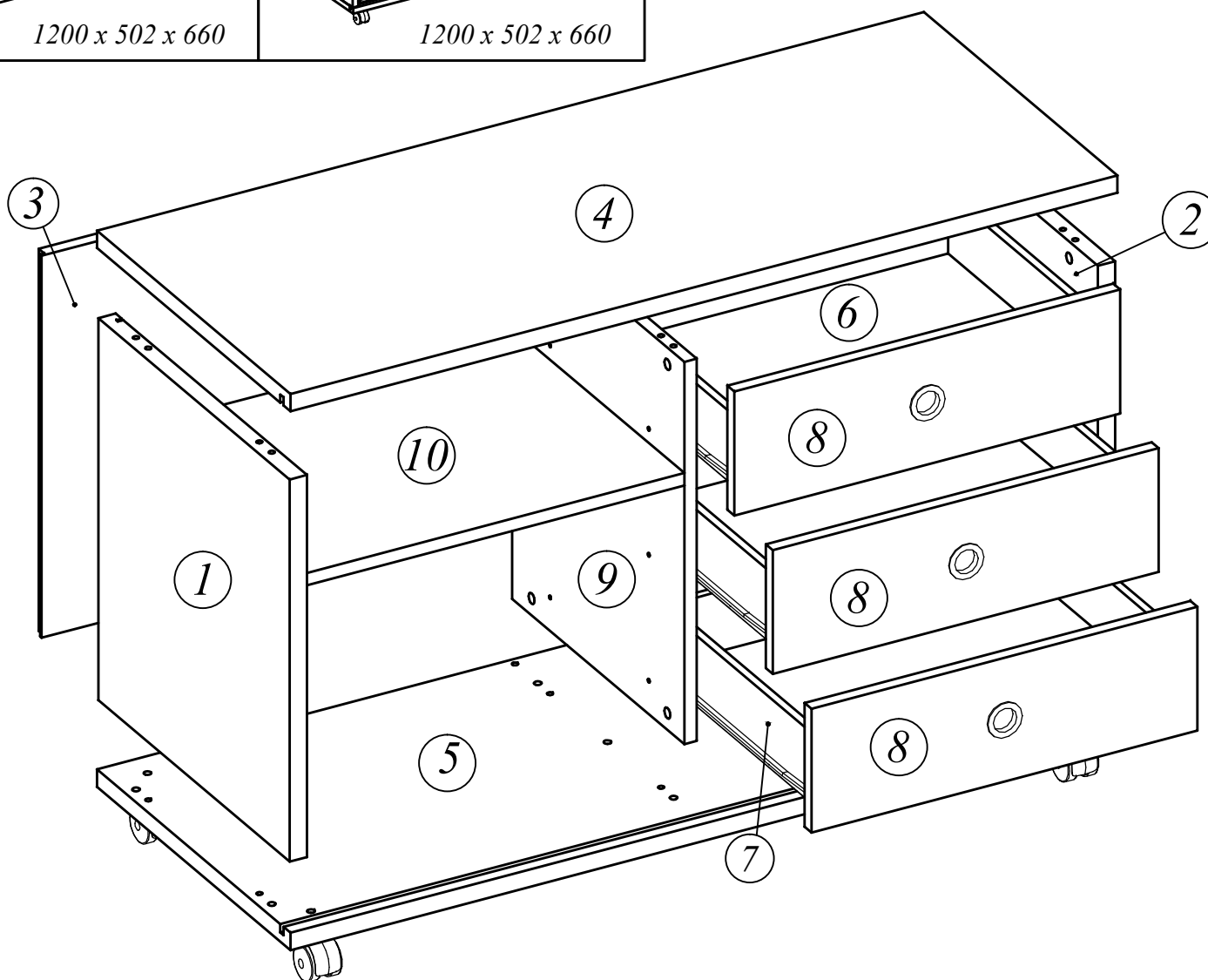
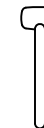
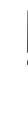
1200 x 502 x 660


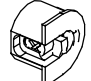
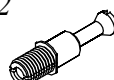












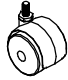


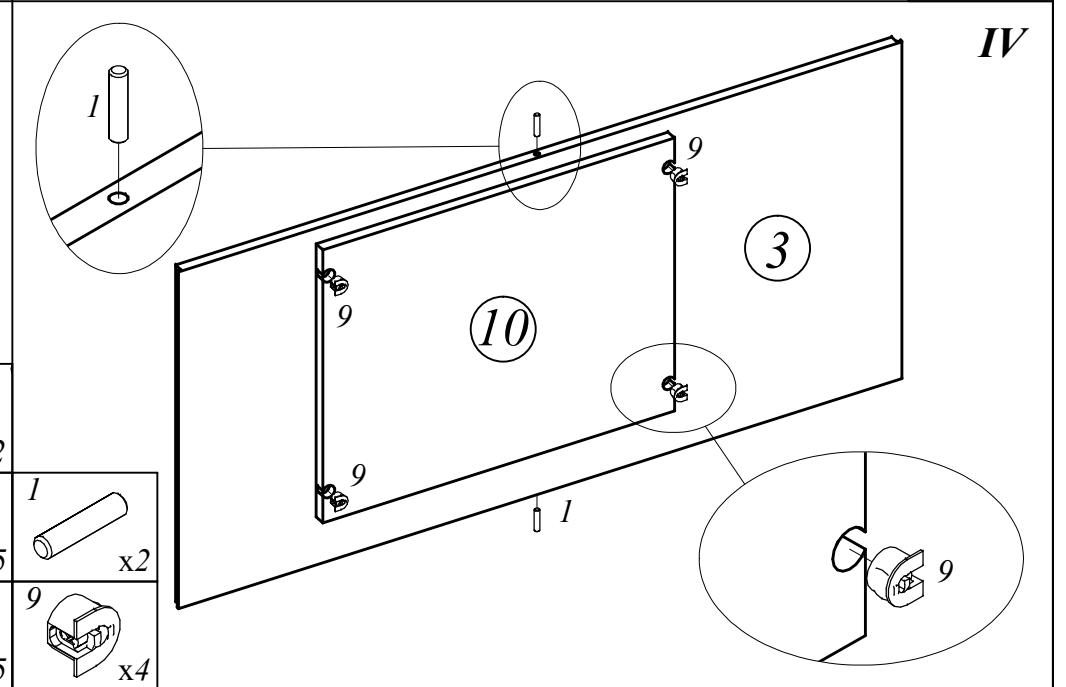
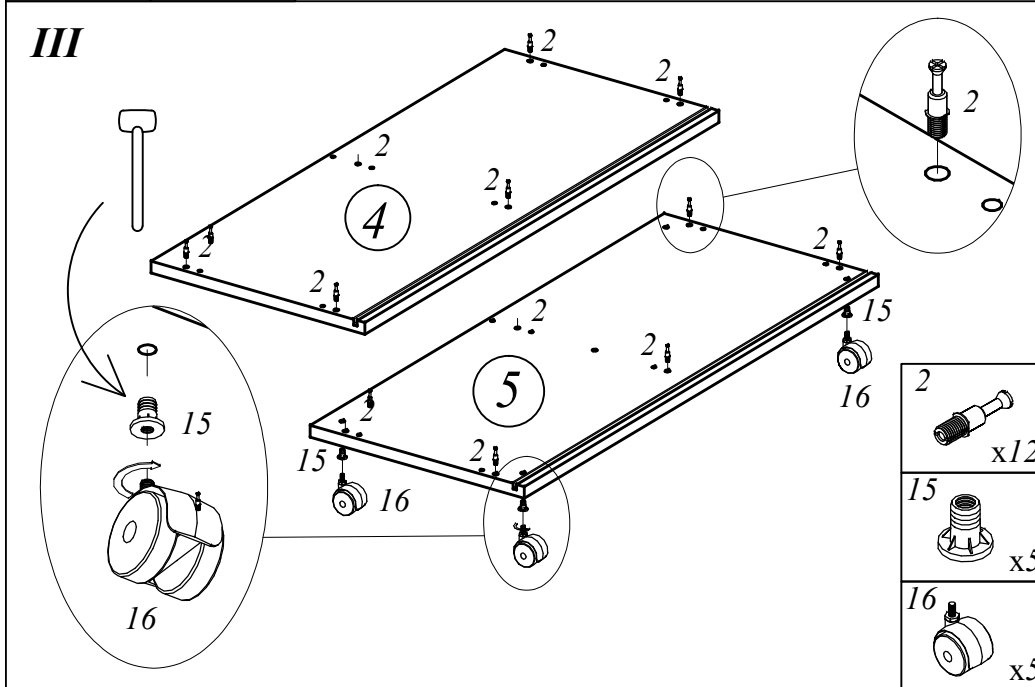
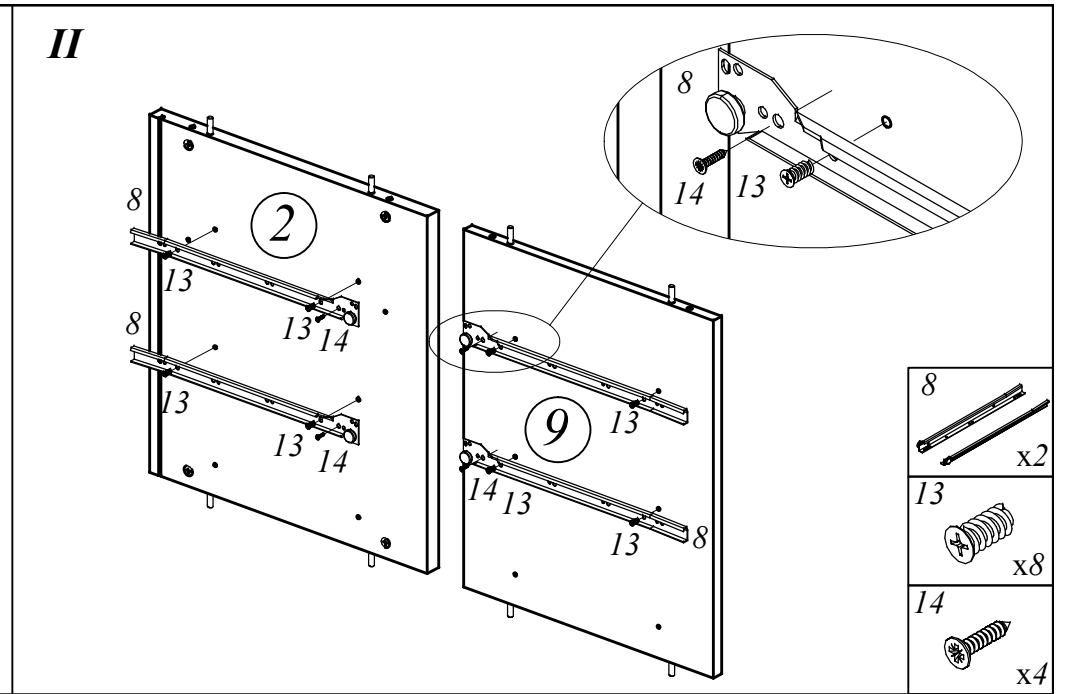
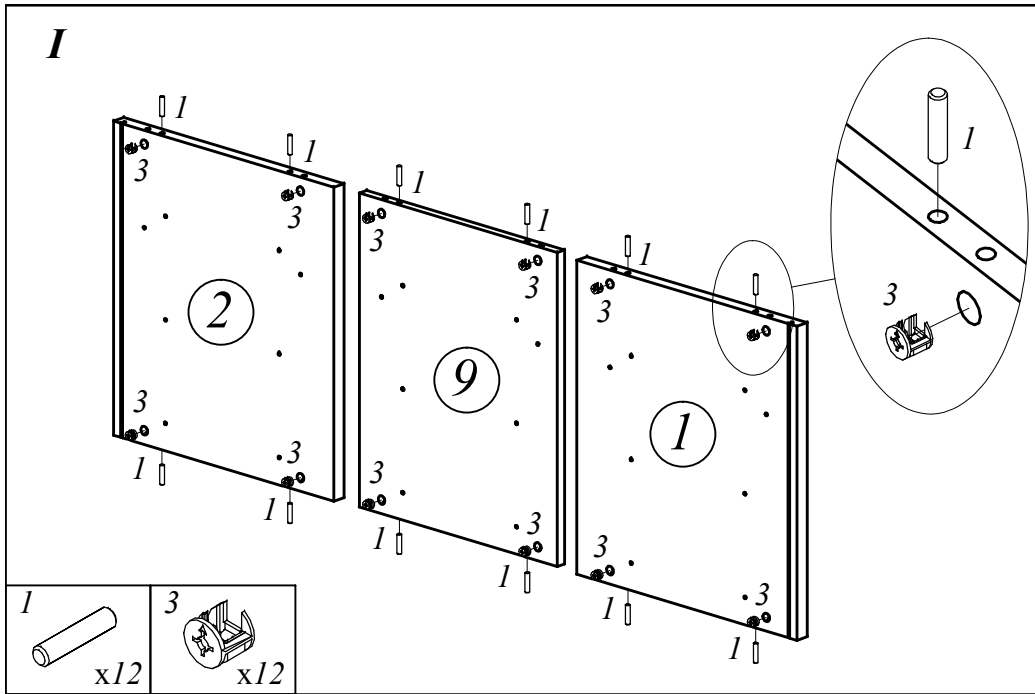
1200 x 502 x 660

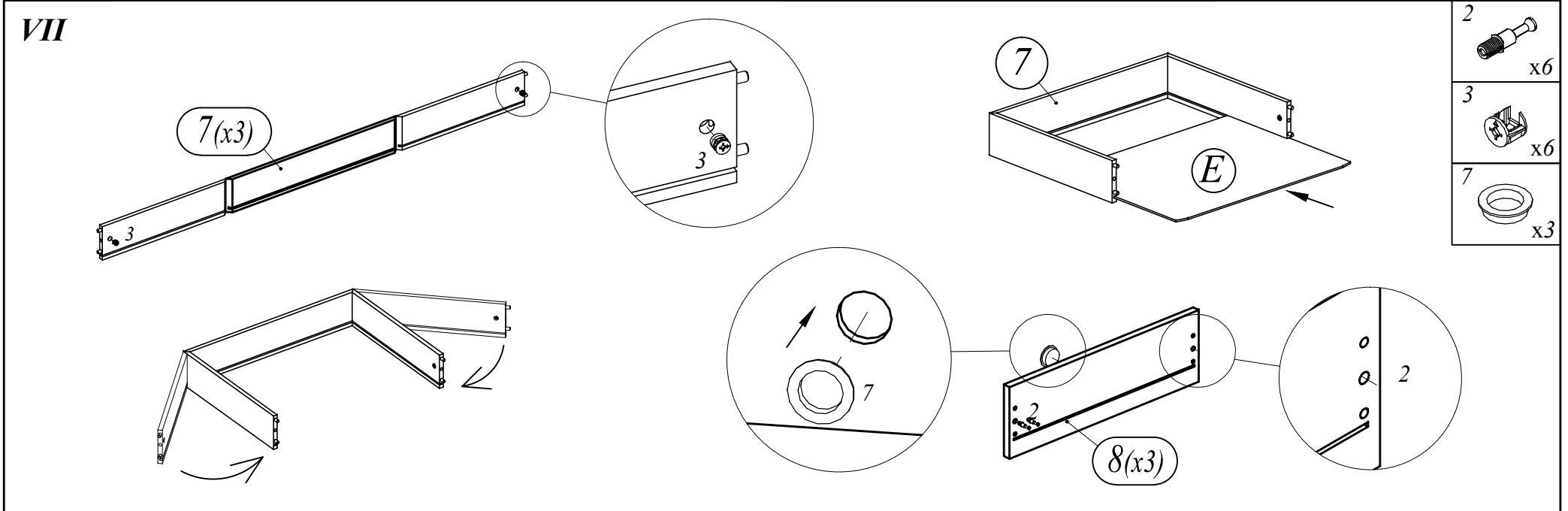
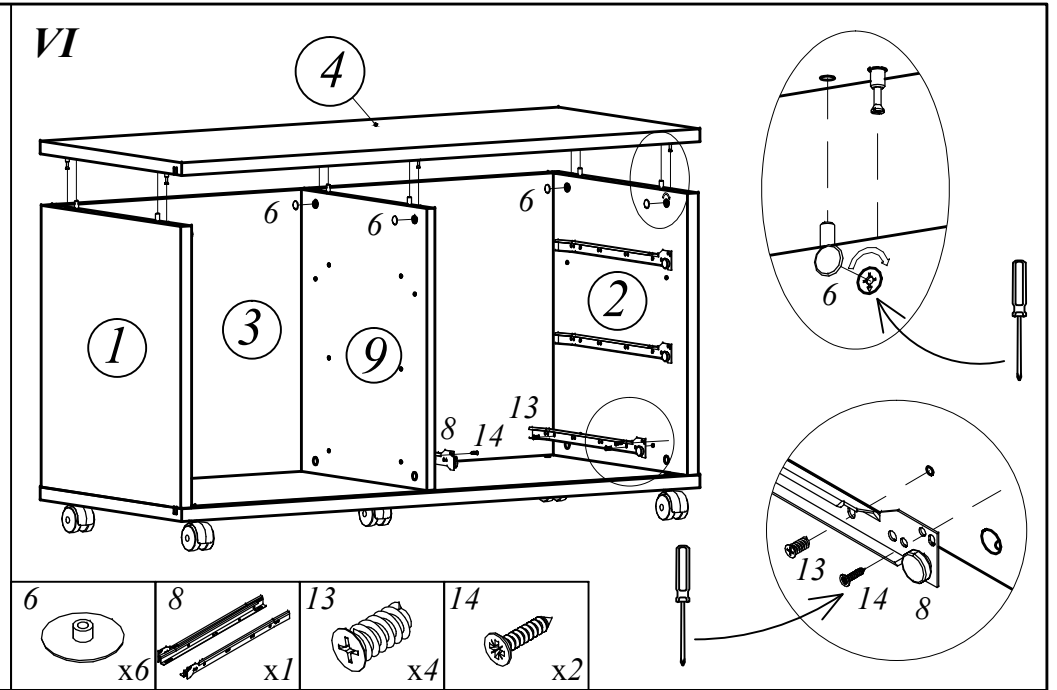
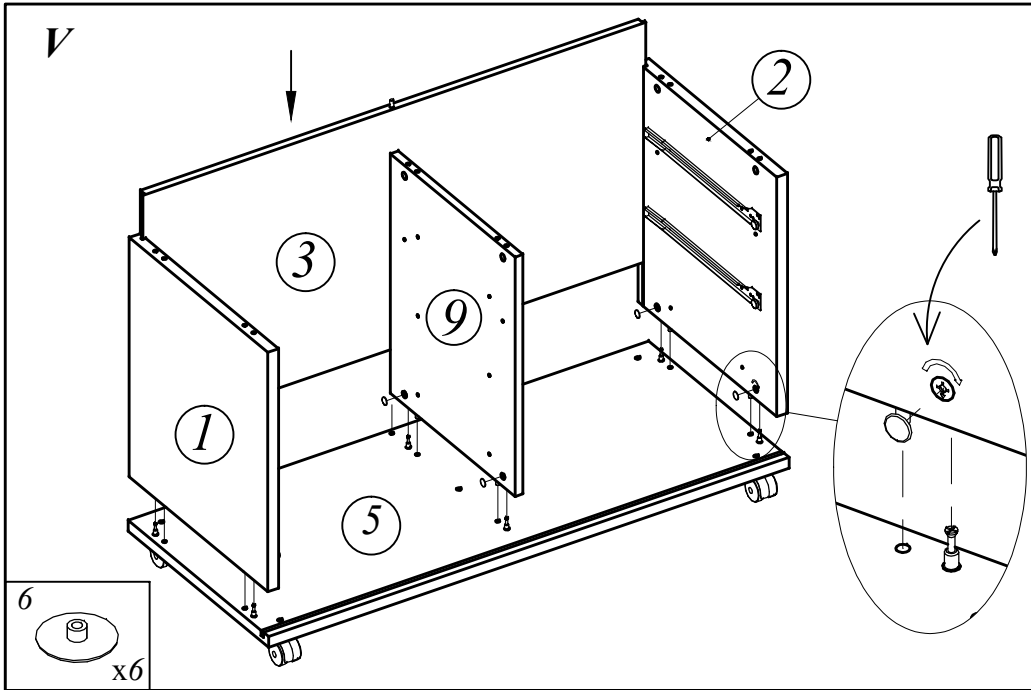
B 202

EAC

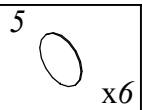
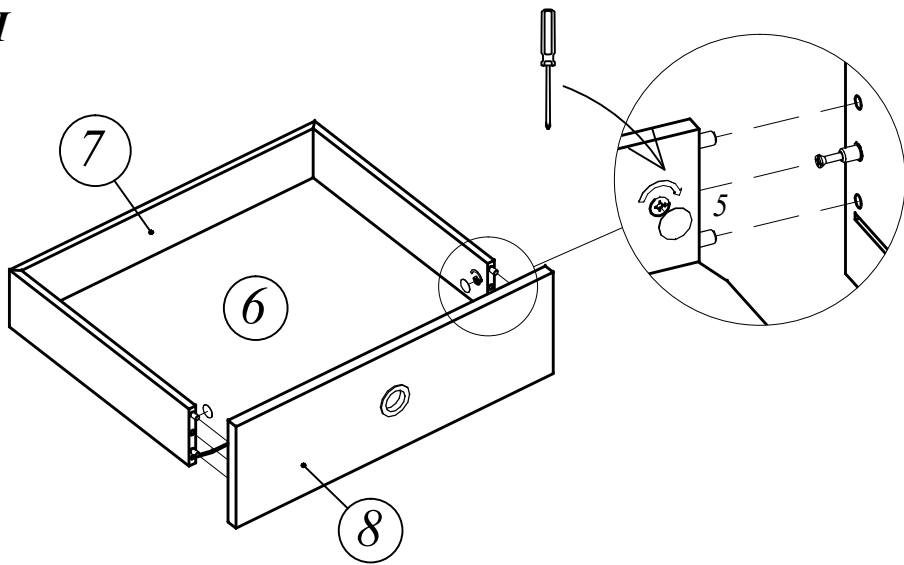


1		x14	9		x4
2		x18	10		x4
3	 Ø15	x12	11	 Ø5	x12
4	 Ø12	x6	12	 Ø10	x4
5	 Ø20	x6	13	 6,3x11,5	x12
6		x12	14	 3,5x16	x18
7		x3	15	 M8	x5
8	 L=400	x3	16	 Ø50	x5

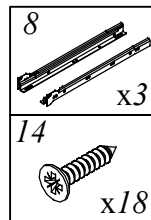
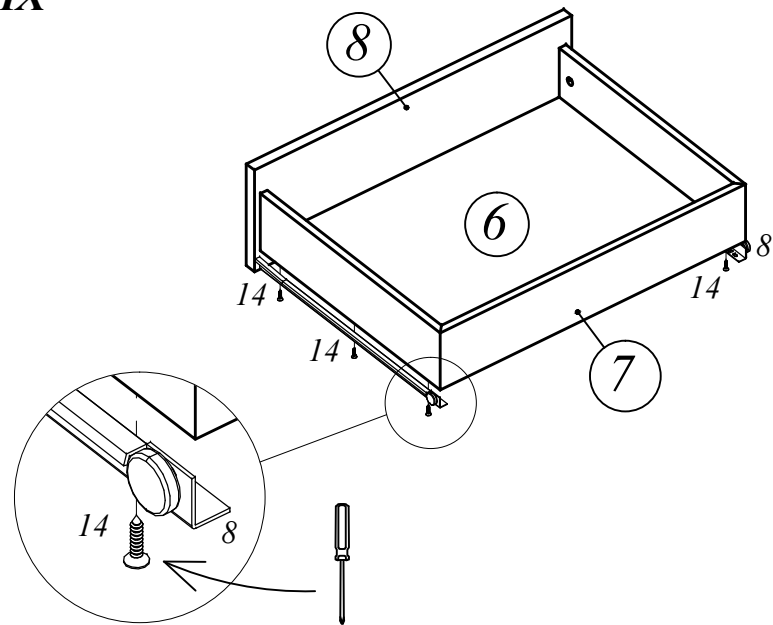




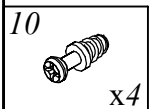
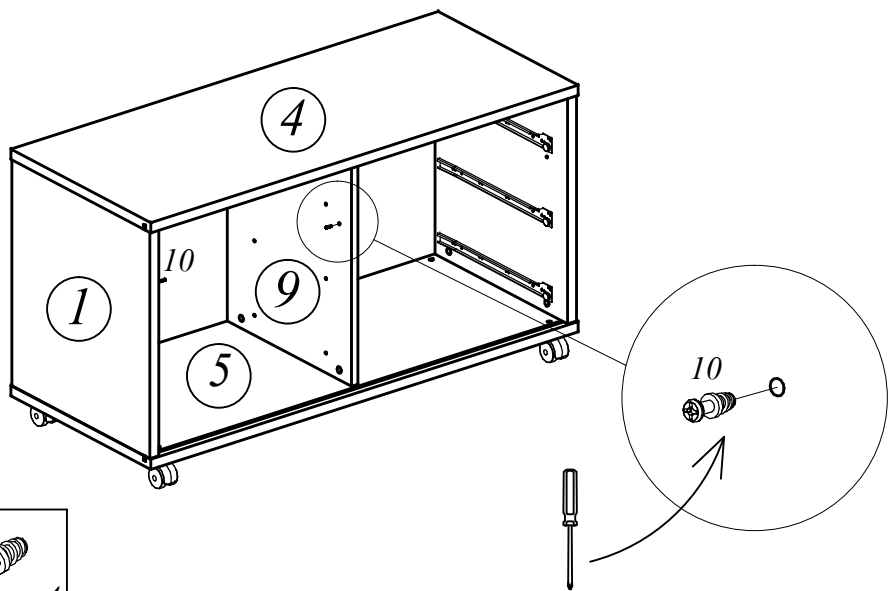
VIII



IX



X



XI

